

Cabinet "U" handles

Aluminium

SPECIFICATION

Aluminium **AL**

d₁ = 20: Solid material

d₁ = 28: Tube-Ø 28 x 4

plastic coated

black, RAL 9005, textured finish **SW**

silver, RAL 9006, textured finish **SR**

blank, ground **BL**

Threaded bushings

Aluminium



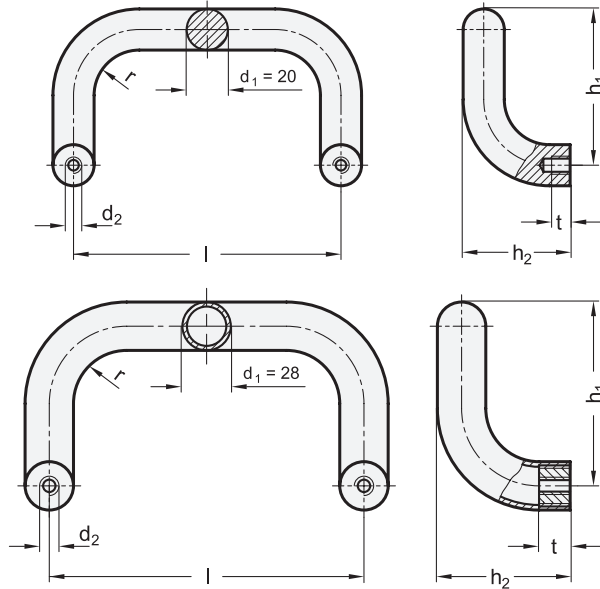
INFORMATION

Cabinet "U" handles GN 426.1 are produced from profiled aluminium extrusions.

The manufacturing process (bending) allows the production of **special lengths** in relatively small quantities.

TECHNICAL INFORMATION

- Load rating information (see page A35)



* Complete with colour index of the Cabinet "U" handles (SW, SR or BL)

SW **SR** **BL**
RAL9005 RAL9006 blank

GN 426.1

Description	d ₁	l ±0.25	d ₂	h ₁	h ₂	r	t min.	Δ
GN 426.1-AL-20-200-*	20	200	M 8	105	68	22	15	380
GN 426.1-AL-20-300-*	20	300	M 8	105	68	22	15	475
GN 426.1-AL-28-250-*	28	250	M 10	125	78	32	15	470
GN 426.1-AL-28-350-*	28	350	M 10	125	78	32	15	505
GN 426.1-AL-28-500-*	28	500	M 10	125	78	32	15	620